



# T730LEDB-WS110

SQUARE SLIM LED CANOPY

## JOB INFORMATION

Type: \_\_\_\_\_  
 Catalog No: \_\_\_\_\_  
 Project Name: \_\_\_\_\_  
 Comments: \_\_\_\_\_  
 Prepared by: \_\_\_\_\_

T730LEDB

### USE OF PRODUCT

The intended use of this product is in parking areas, entrances, walkways, underpasses, loading docks, or recreation areas.

### HOUSING

Sealed die-cast aluminum housing with knockout located on side.

### FINISH

Matt-finished, architectural bronze powdercoat over a precise chromate conversion coating. Available in standard dark polyester bronze or consult factory for made to order architectural finishes.

### OPTICS

One-piece white powdercoat reflector with polycarbonate lens. Lens is sealed by one-piece silicon gasket prohibits entrance of outside contaminants.

### LED

High output LEDs offer a minimum estimated operating life of 50,000 hours in 3000K, 4000K, 5000. LEDs placed on high performance aluminum heatsink for reduced junction temperatures and extended life.

### DRIVER

Durable and long lasting LED driver operates at 120-277V with 0-10V dimming driver, -40°C Min Temp. +40°C Max Temp.

### LISTINGS/COMPLIANCE

- UL - Suitable for wet locations.
- DLC



## ORDERING INFO

SERIES	WATT/LUMENS	COLOR TEMPERATURE	VOLTAGE	MOUNTING
T730LEDB	<b>WS110</b> - Wattage Selectable (41W, 63W, 85W, 110W) <b>S41W</b> - Set at 41W <b>S63W</b> - Set at 63W <b>S85W</b> - Set at 85W <b>S110W</b> - Set at 110W	<b>CTS</b> - Color Temperature Selectable (3000K, 4000K, 5000K) <b>S30K</b> - Set at 3000K <b>S40K</b> - Set at 4000K <b>S50K</b> - Set at 5000K	<b>UNV</b> - 120V-277V	<b>SM</b> - Surface Mount <b>PH</b> - Pendant hung

### FINISH

- BZ<sup>1</sup>** - Bronze
- MTO<sup>2</sup>** - Made to order
- MGTO<sup>2</sup>** - Marine Grade Made to Order

### OPTIONS

- PC** - Photocell 120-277V
- MW** - Microwave Sensor
- MSR** - Standard PIR Motion Sensor Remote
- EM5W** - Emergency battery 5W

### Notes

1. Bronze is standard color
2. RAL number is required

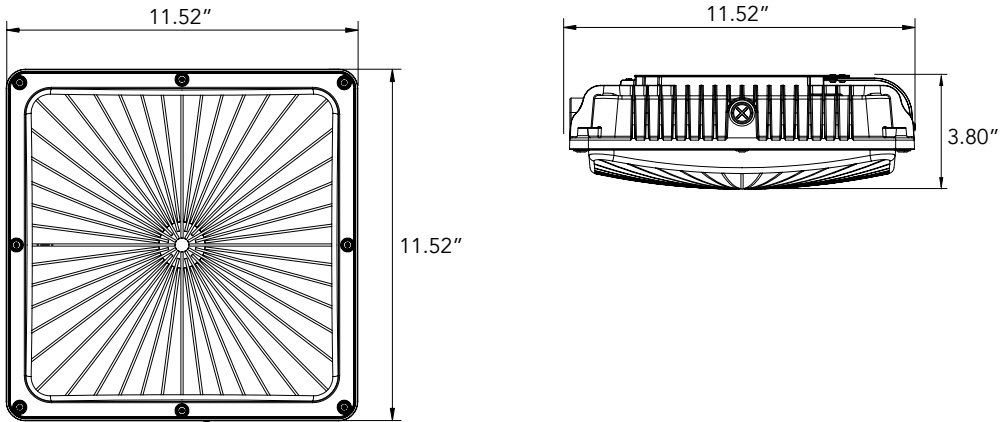
## T730LEDB-WS110 PERFORMANCE CHART

SYSTEM WATTS	3000K		4000K		5000K	
	LUMENS	LPW	LUMENS	LPW	LUMENS	LPW
41W	6800 lm	166 lm/W	7200 lm	176 lm/W	7000 lm	171 lm/W
63W	9800 lm	156 lm/W	10500 lm	167 lm/W	10000 lm	159 lm/W
85W	12800 lm	151 lm/W	13600 lm	160 lm/W	13000 lm	153 lm/W
110W	15500 lm	141 lm/W	16500 lm	150 lm/W	16000 lm	145 lm/W



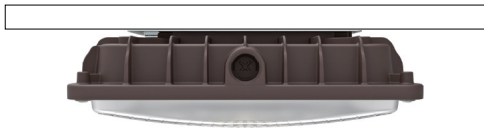
# T730LEDB-WS60

## DIMENSIONS

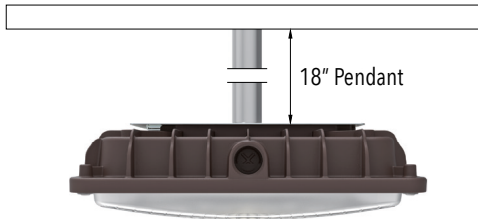


## MOUNTING OPTIONS

### SM - Surface Mount

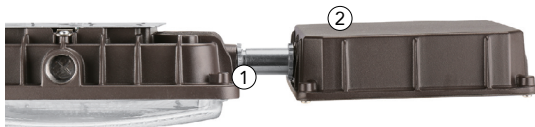


### PH - Pendant Hung



## OPTIONS

### EM5W - Emergency Battery 5W



1. 0.5" Knockout for conduit run
2. Emergency battery

### MW - Microwave Sensor



Optional build-in inside the fixture microwave sensor

### MSR - Standard PIR Motion Sensor Remote



Optional remote PIR motion sensor can be installed in field